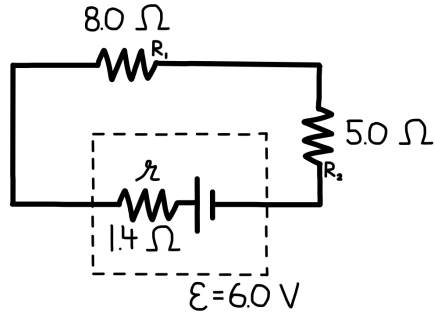


Terminal Voltage and More

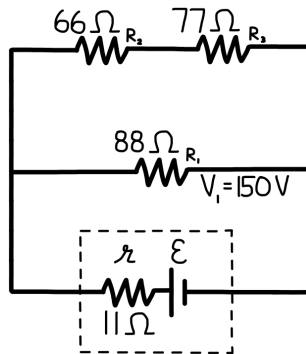
Name:

Block:

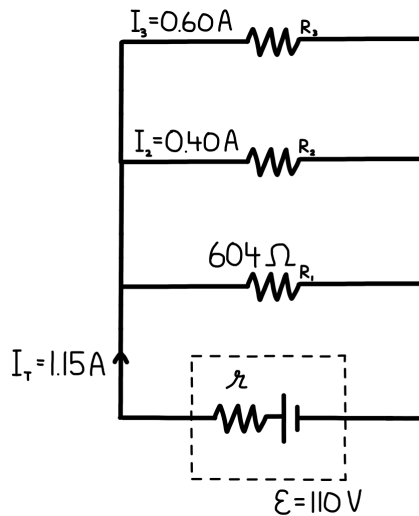
1. Determine the terminal voltage of the battery.



2. Determine the emf of the cell.

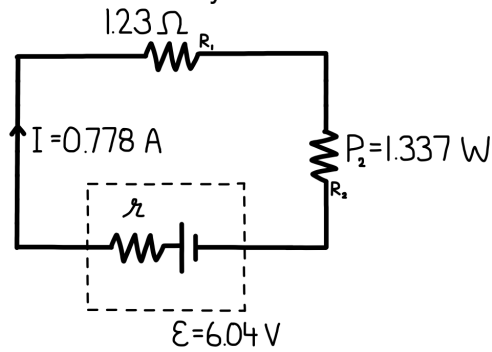


3. A battery with an internal resistance is connected to three resistors as shown.

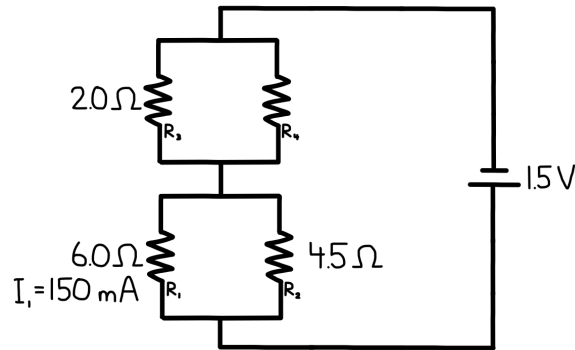


- a) Determine internal resistance.
b) What power is dissipated in the battery's internal resistance?

4. Determine the internal resistance of the battery.



5. An ideal battery is connected to four resistors as shown.



- How much charge flows through R_4 in 1 hour?
 - What power is dissipated by R_4 ?
 - How much energy is dissipated by R_4 in 1 hour?
6. When a power supply whose emf is 12.0 V is connect to a resistor, it delivers 9.0 A of current. When the same supply is connected to two identical resistors in series, the current from the supply is 5.0 A. Determine the internal resistance of the supply.

