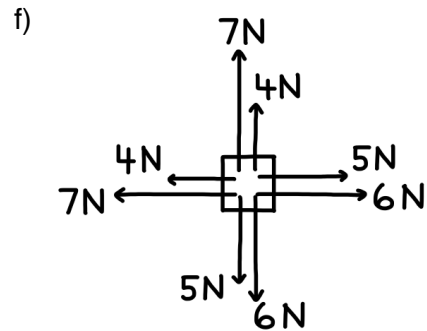
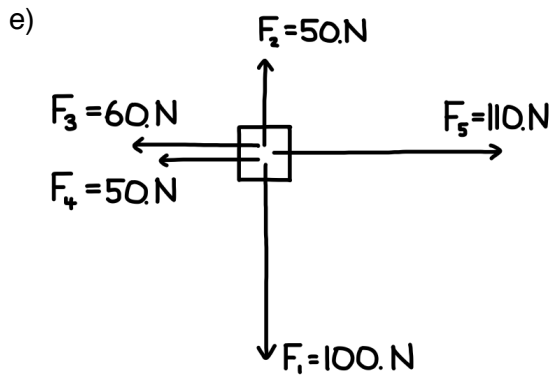
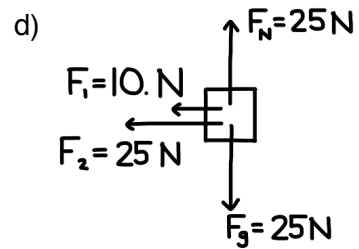
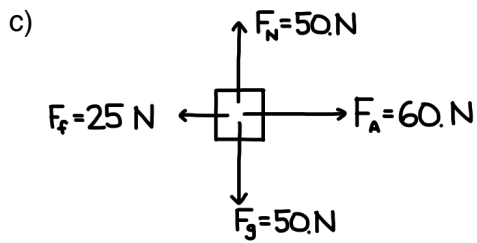
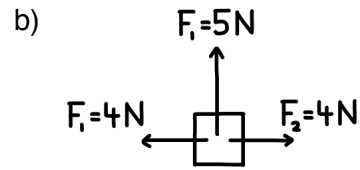
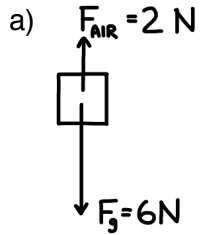


Net Force

Name:

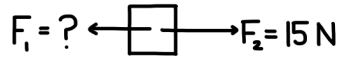
Block:

1. Determine the net force. Be sure to indicate both the magnitude and direction.

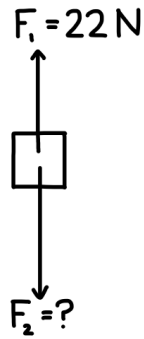


2. Determine the unknown force.

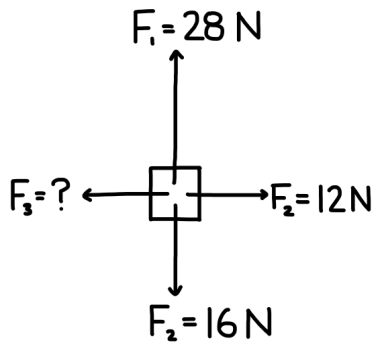
a) $F_{\text{net}} = 3 \text{ N Right}$



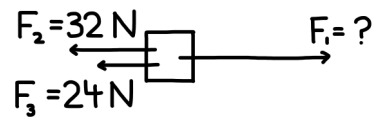
b) $F_{\text{net}} = 10. \text{ N Down}$



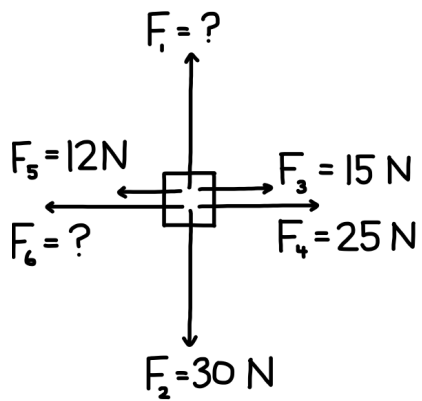
c) $F_{\text{net}} = 12 \text{ N Up}$



d) $F_{\text{net}} = 10. \text{ N Right}$



e) $F_{\text{net}} = 0$



f) $F_{\text{net}} = 2 \text{ N Right}$
(add vectors as needed)

