

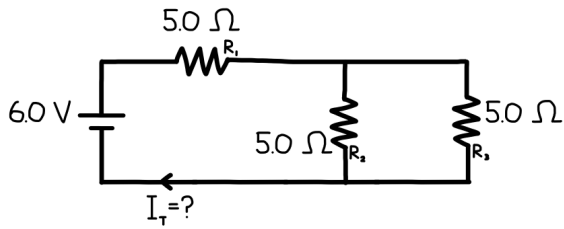
Combination Circuits

Name:

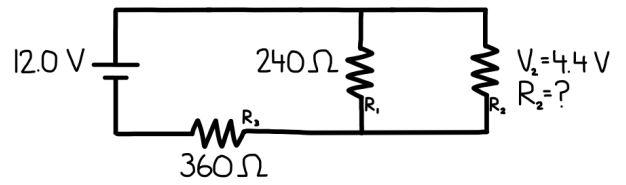
Block:

For each circuit, determine unknown quantity indicated on the diagram.

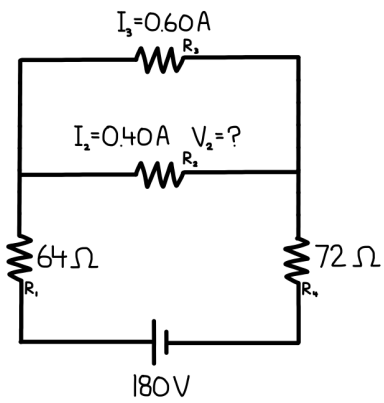
1.



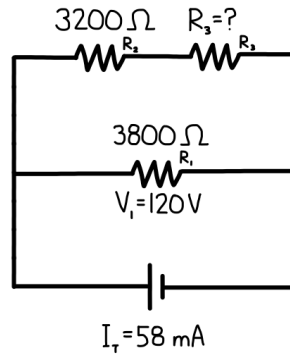
2.



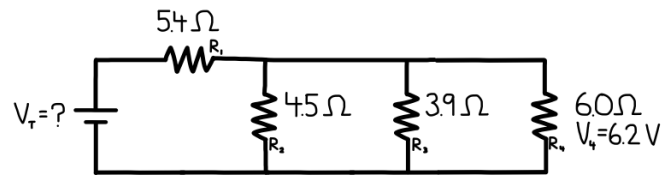
3.



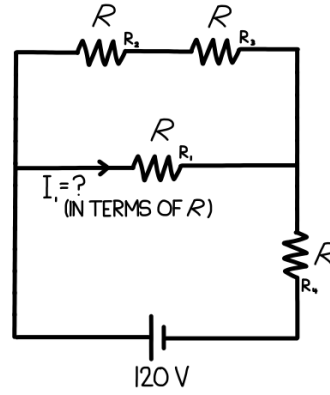
4.



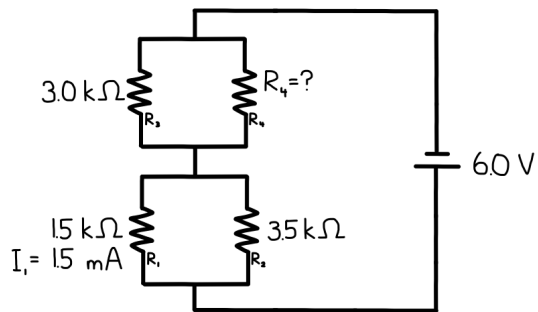
5.



6.



7.



8.

